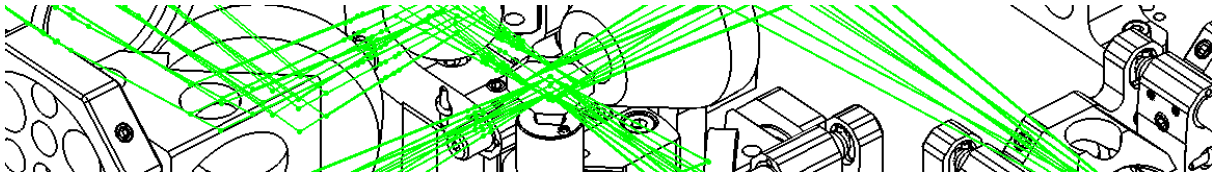


vt-iSIM – Imaging Beyond All Limits

Introducing the world's first high speed super resolution imaging system



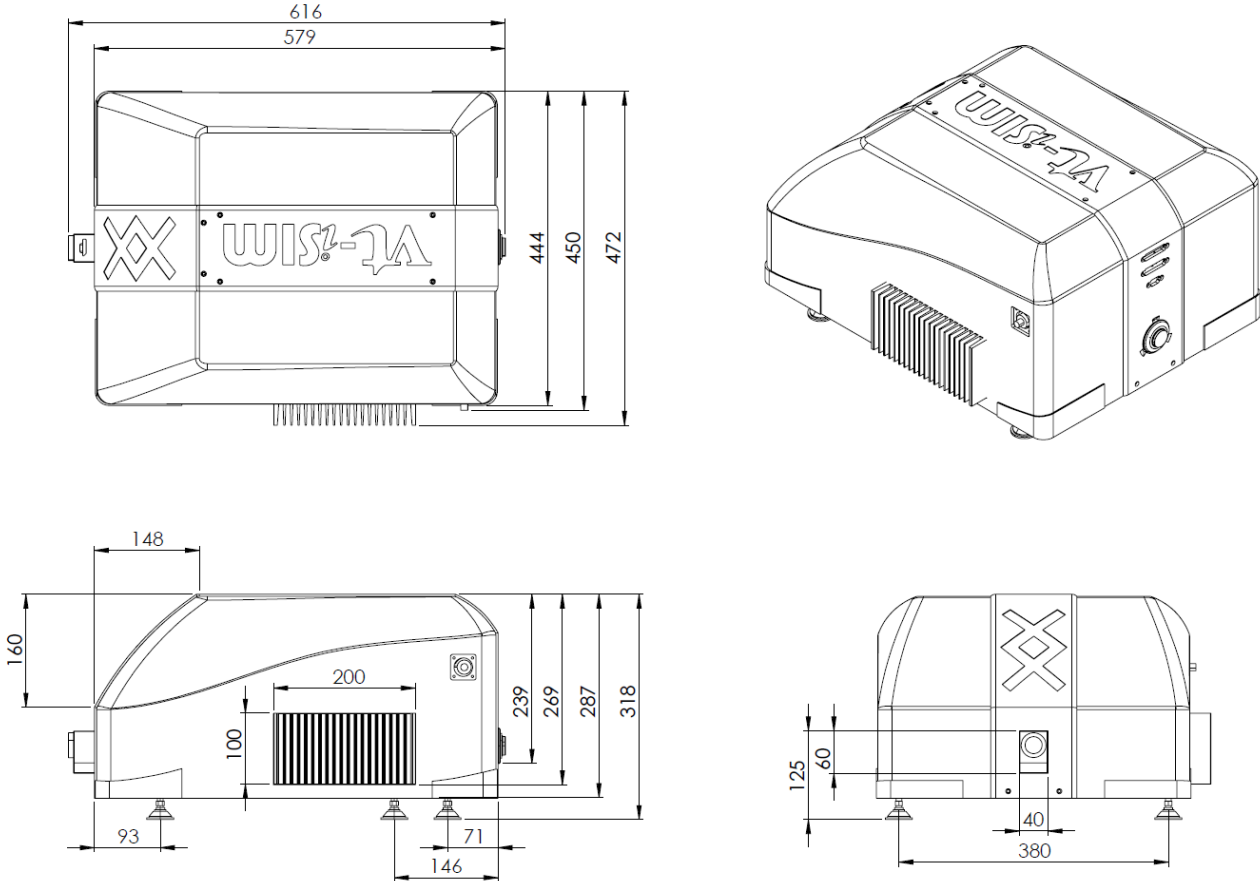
With VT-iSIM, the ground breaking high speed super resolution imaging system from VisiTech International, you can image at spatial and temporal resolutions never thought possible before. With no requirement to use specific fluorophores and without any computation, the VT-iSIM produces super resolution images in real time at up to 1,000 frames per second. VT-iSIM is also fully modular enabling you to upgrade your existing Epi-fluorescent microscope to a Super Resolution microscope at a fraction of the cost.

Specifications

Spatial Resolution:	~100nm Laterally and ~280nm Axially
Temporal Resolution:	Scan Speed up to 1000fps, full frame With Scientific CMOS camera, achievable capture rates are: 200fps @ 1024x1024, 400fps @ 1024x512, 800fps @ 1024x256
Pin Holes:	Selectable from 10-64um
Dichroic Changer:	Automated 3-Position Dichroic Changer
Emission Filter Changer:	Regular or High Speed 6-Position Emission Filter Changer
Excitation:	Up to six solid state lasers selectable from within the visible range (405, 445, 488, 514, 532, 561, 642nm) intensity and laser line selection controlled via software
Sync:	Perfect camera & excitation sync comes as standard
Camera Specification:	For accurate sampling camera must have pixel size <6.5um Camera connection is via regular c-mount
Microscope Specification:	For quoted resolution numbers high NA high magnification lens must be used, i.e. 100x 1.49NA Microscope connection is via regular c-mount
Additional Specifications:	Fully integrated FRAP add-on available and automated bright-field by-pass available
Software:	System supported in µManager, Visi-View, CellSens or NIS Elements

vt-iSIM – Imaging Beyond All Limits

Outline Drawing



For more information contact

<p>VisiTech International Ltd Unit 92, Silverbriar Enterprise Park (East) Sunderland SR5 2TQ, U.K. Tel: +44 191 5166 255 Fax: +44 191 5166 258 email: sales@visitech.co.uk web: www.visitech.co.uk</p>	<p>BioVision Technologies 64 E. Uwchlan Ave. #273 Exton PA 19341 USA Tel: +1 610 524 9740 email: info@biovis.com web: www.biovis.com</p>
--------------------------------------------------------------------------------------------------------------------------------------------------------------------------------------------------------------------------------------------------------------------------------------------------------------------------	-----------------------------------------------------------------------------------------------------------------------------------------------------------------------------------------------------------------------------------------------

WARNING – LASER RADIATION AVOID EXPOSURE TO BEAM, CLASS 3B LASER PRODUCT